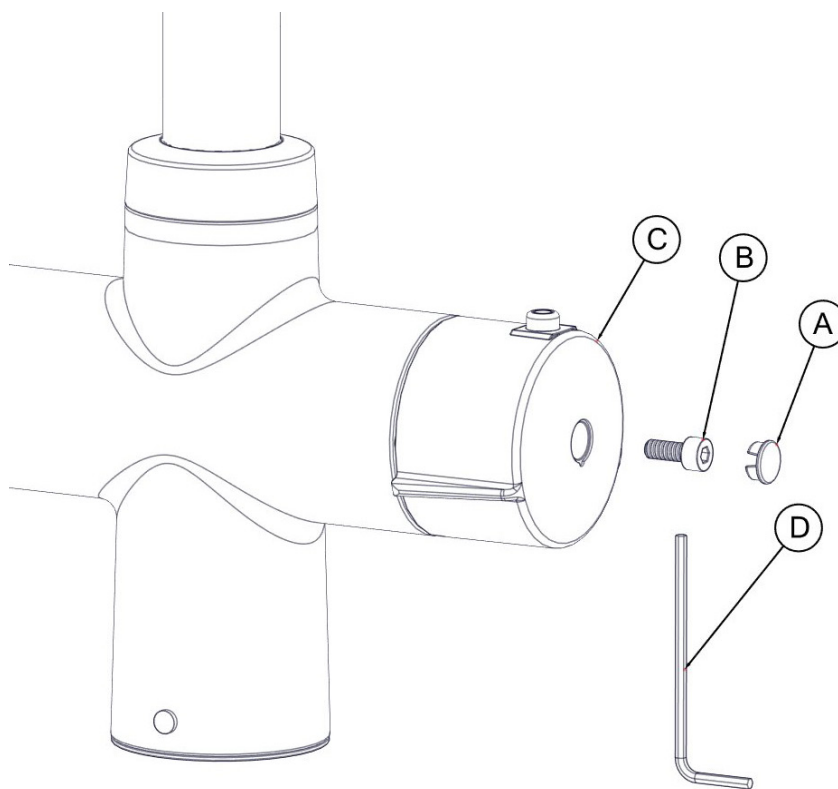


3-IN-1 BOILING HANDLE CHANGE GUIDE



Before you begin

Replacing the boiling handle of your boiling water tap is a straightforward procedure for any competent handy person. However, should you have any doubts about your ability to tackle the task we suggest you engage a suitably qualified professional.

Tools required:

1. 3mm Allen Key (Supplied).

The boiling handle change procedure:

1. Remove the cap (A) using a thin bladed item.
2. Unscrew the screw (B) using the 3mm Allen Key (D).
3. Remove handle (C).
4. Fit the new handle.
5. Replace the screw (B) and screw firmly into position.
6. Re-position the cap (A).